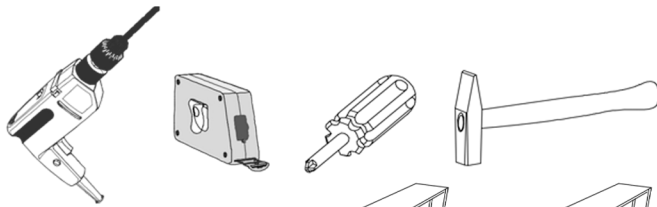
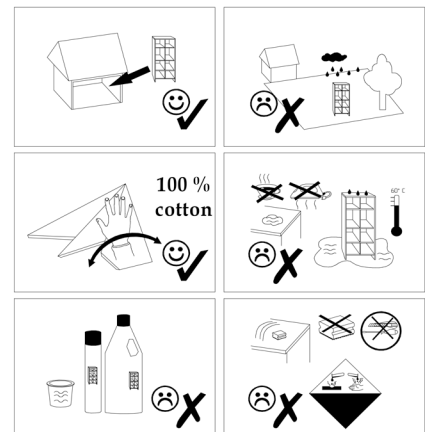
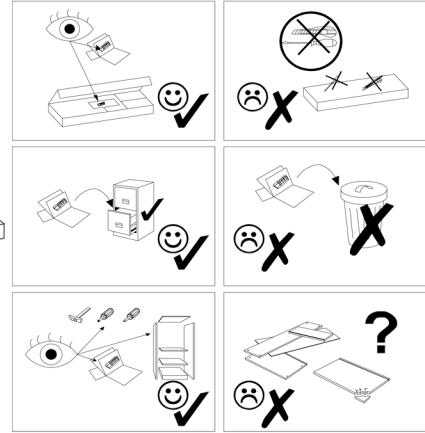
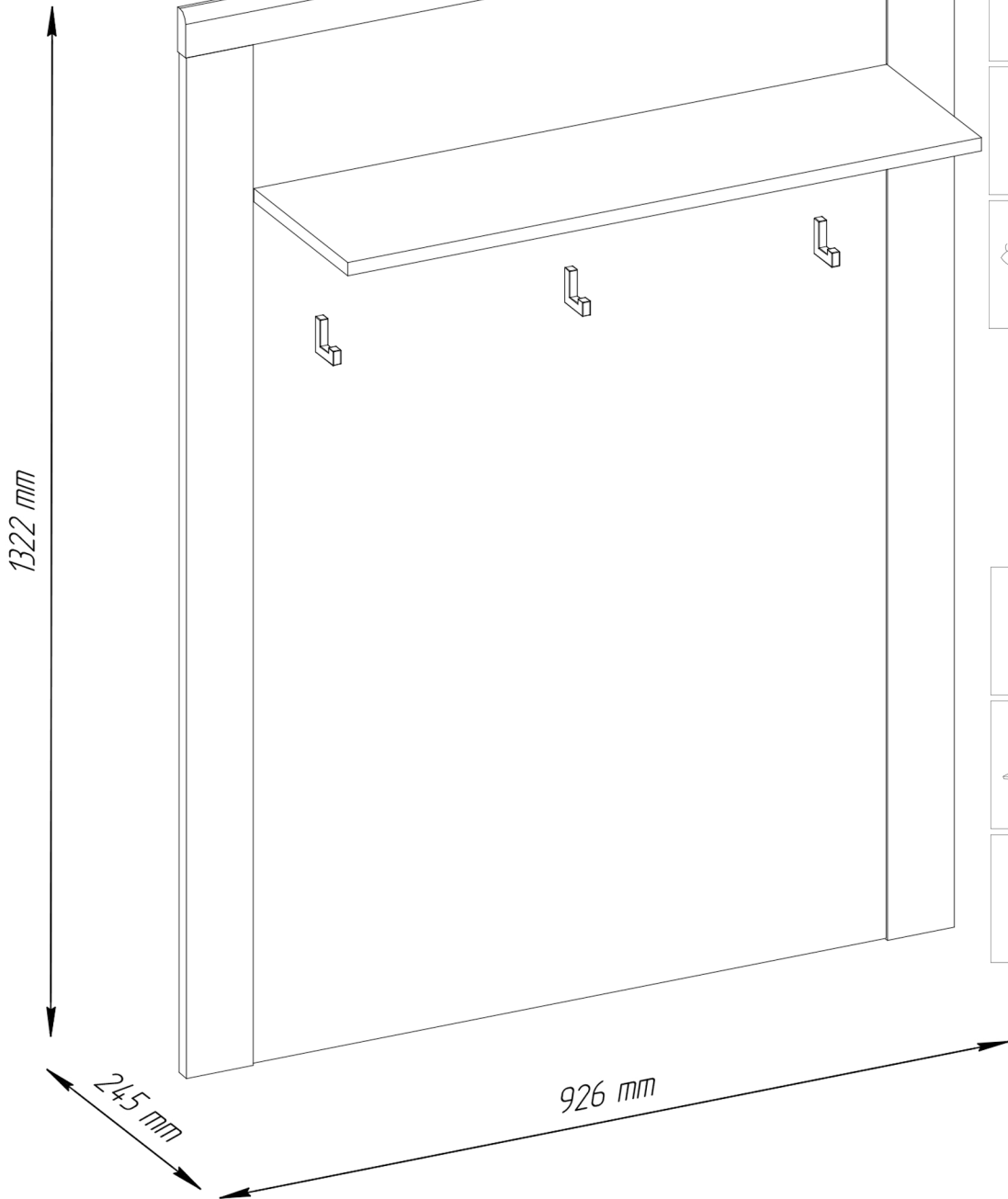
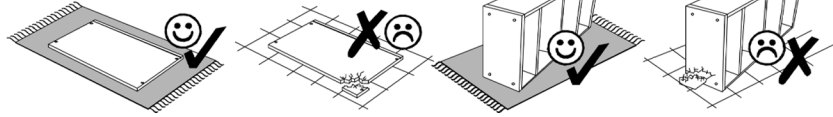
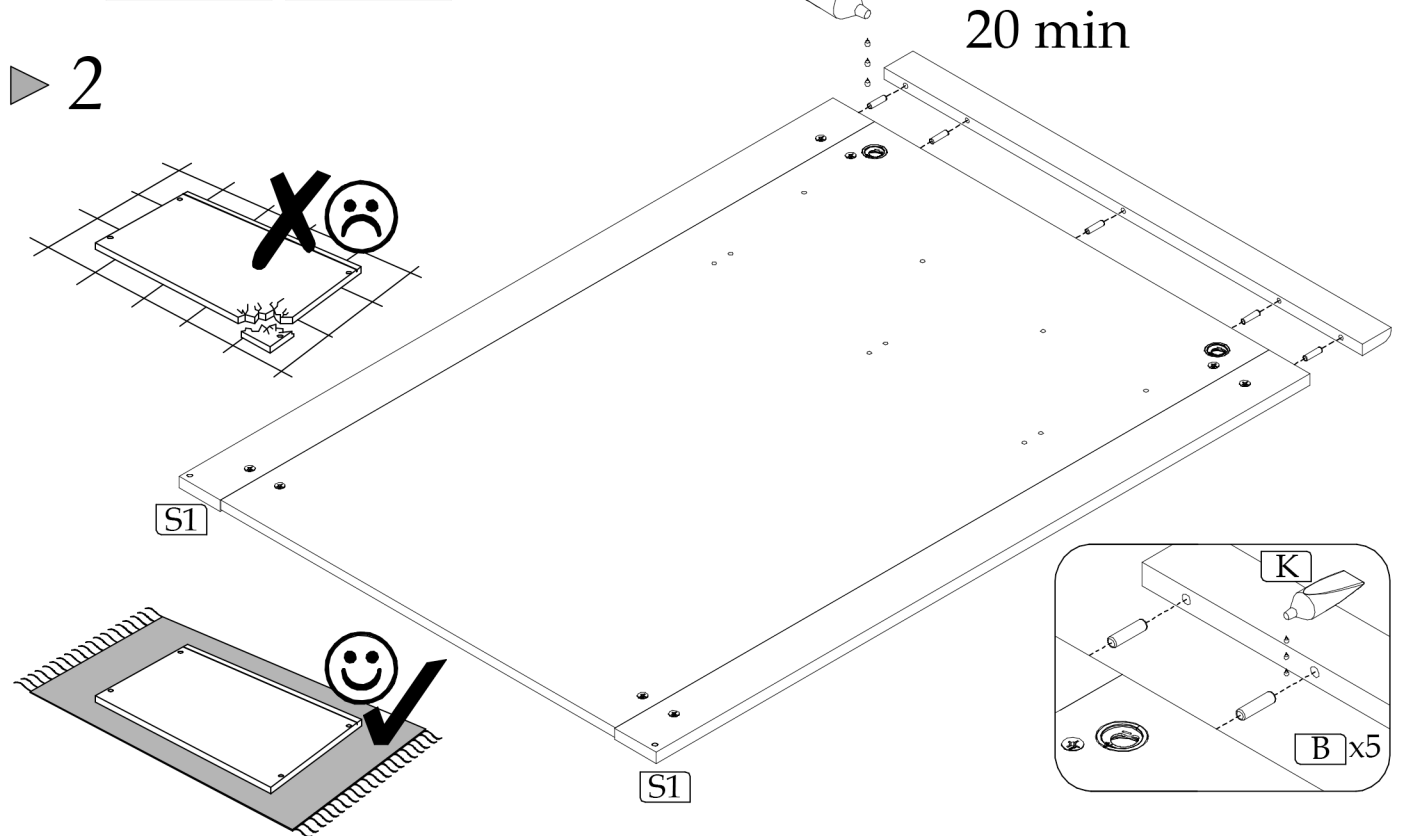
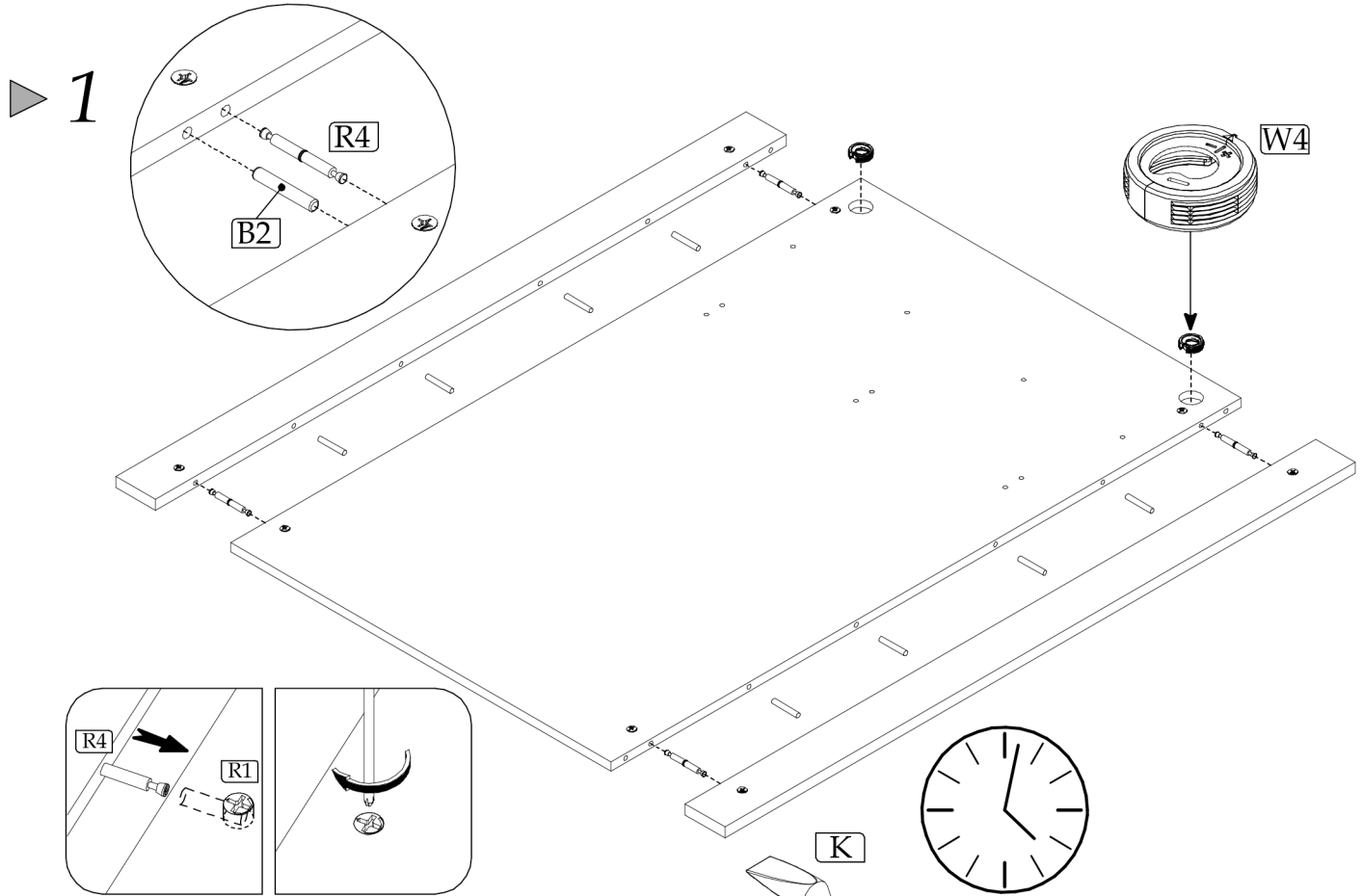
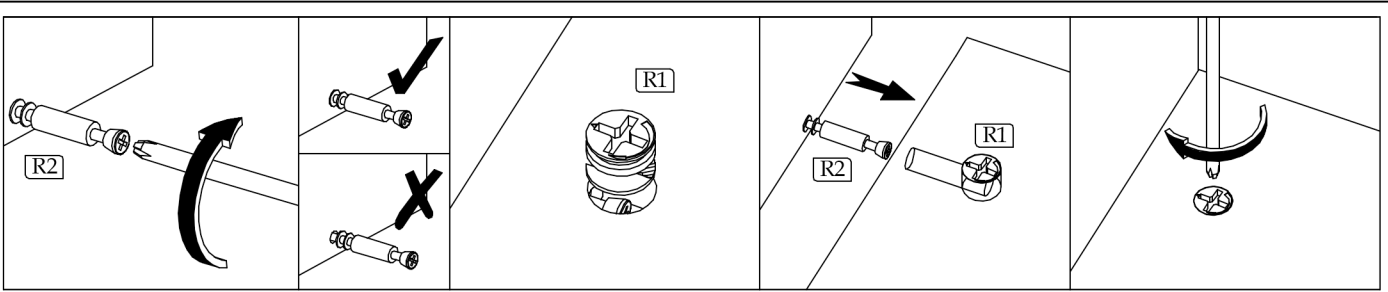


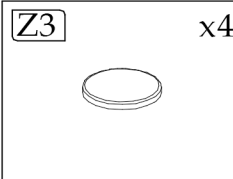
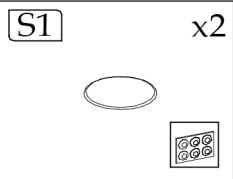
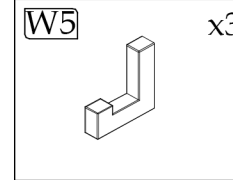
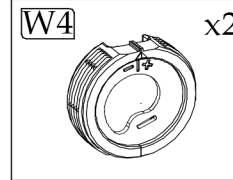
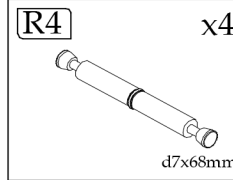
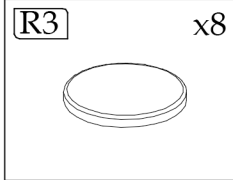
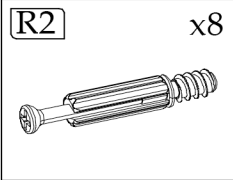
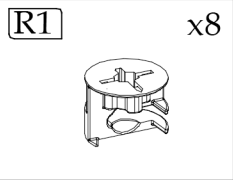
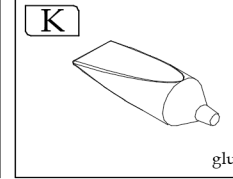
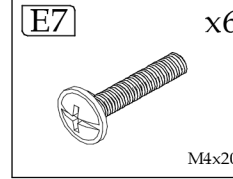
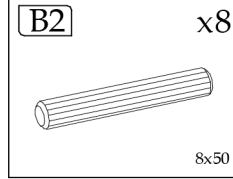
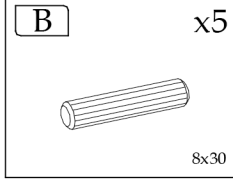
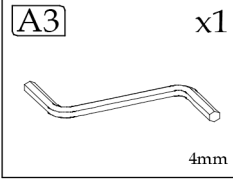
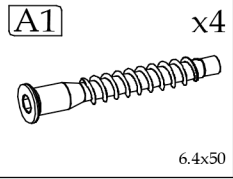
VILGO 90



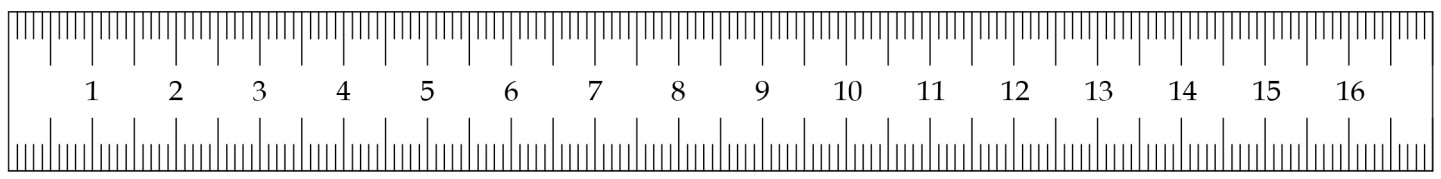
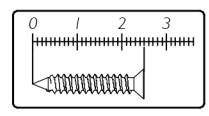
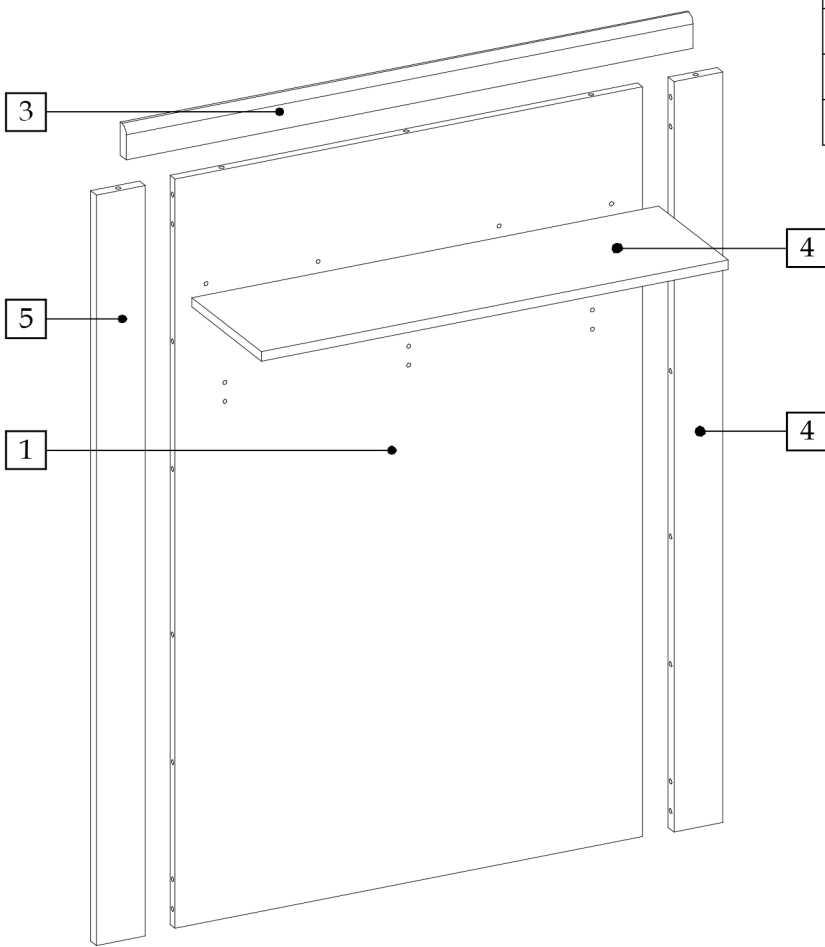
70 min



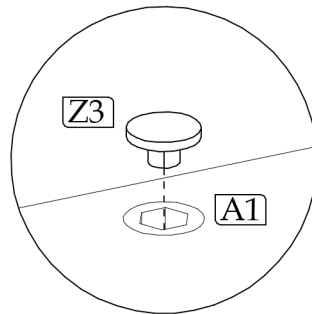
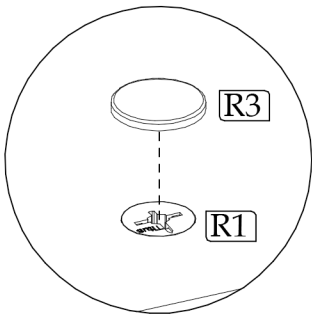
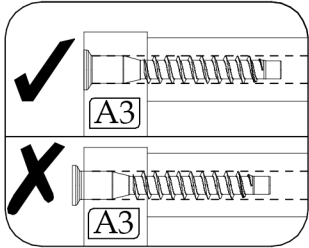
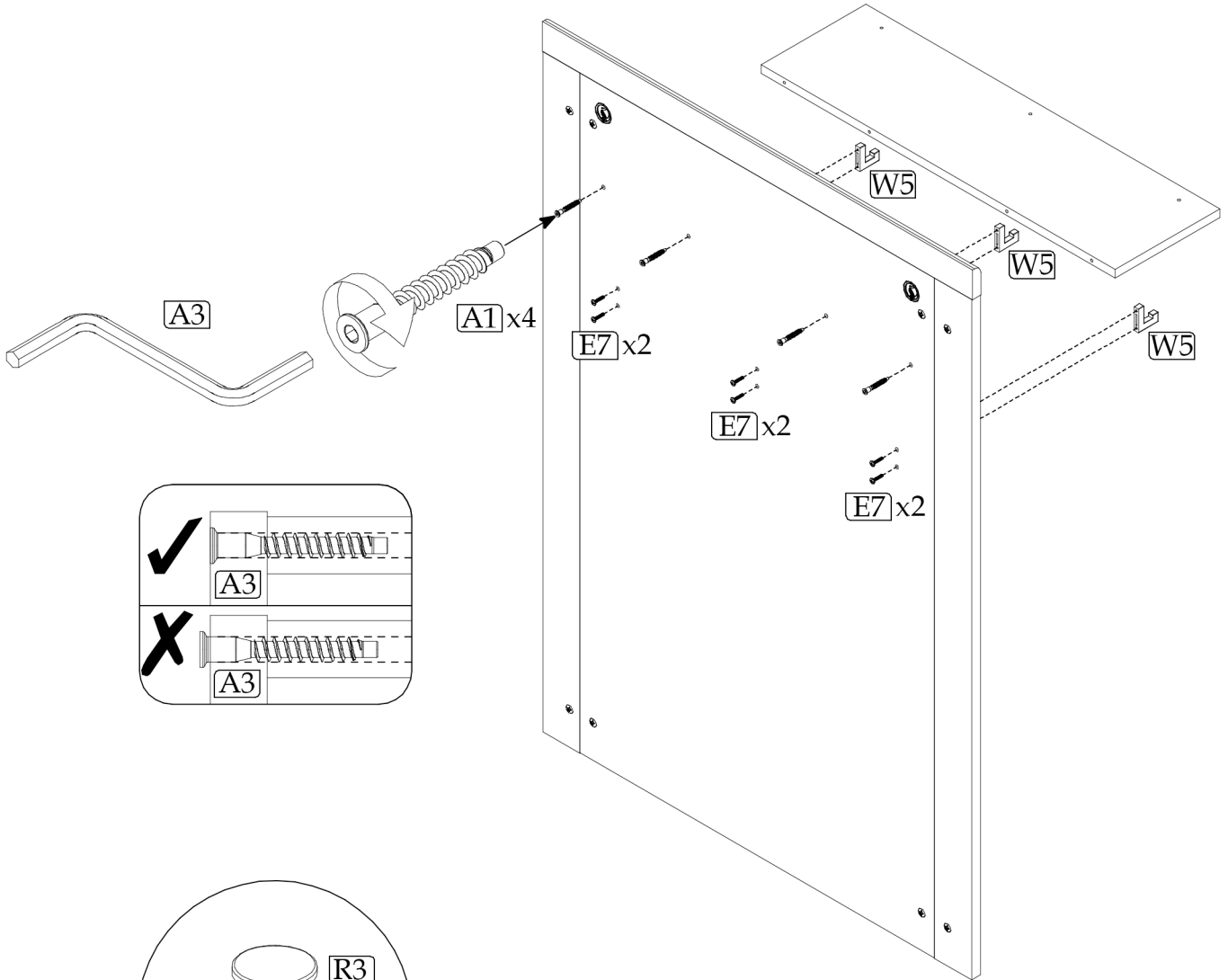




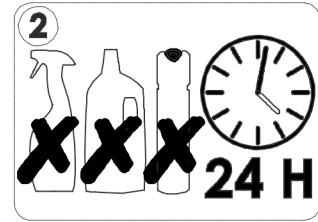
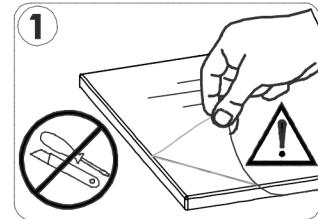
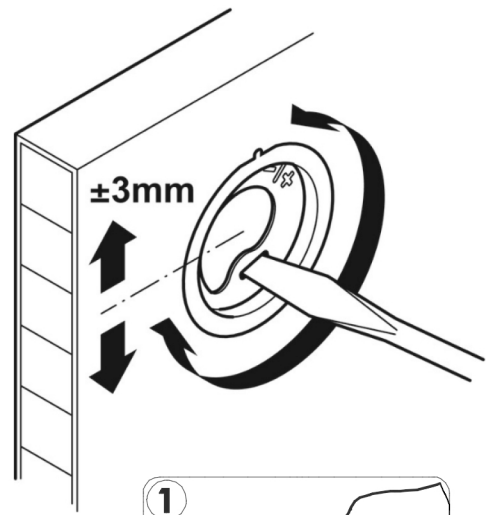
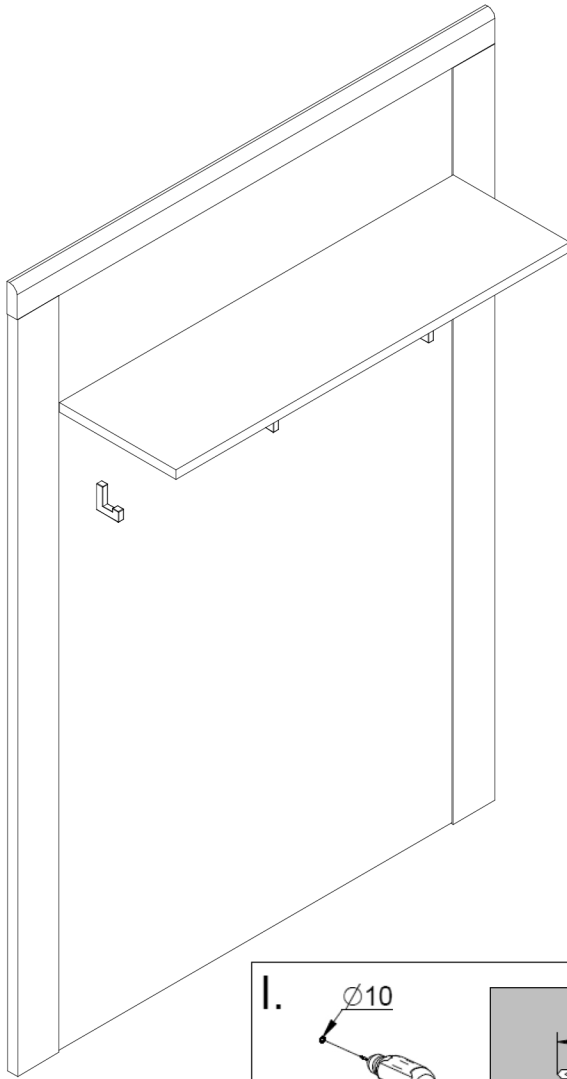
1	1265	763	16	1	1001	1/1
2	762	226	16	1	1002	1/1
3	928	57	16	1	1042/3001	1/1
4	1268	82	16	1	1043/3002	1/1
5	1268	82	16	1	1043/3003	1/1



▶ 3



▶ 4



<p>I. $\varnothing 10$</p> <p>h > 60mm</p>	<p>II.</p> <p>* $\varnothing 10 \times 50$</p>
<p>III.</p> <p>(3)</p>	<p>IV.</p> <p>max. 5mm</p>

